

# hugga.



Lola Llamazares  
Manuela Losada

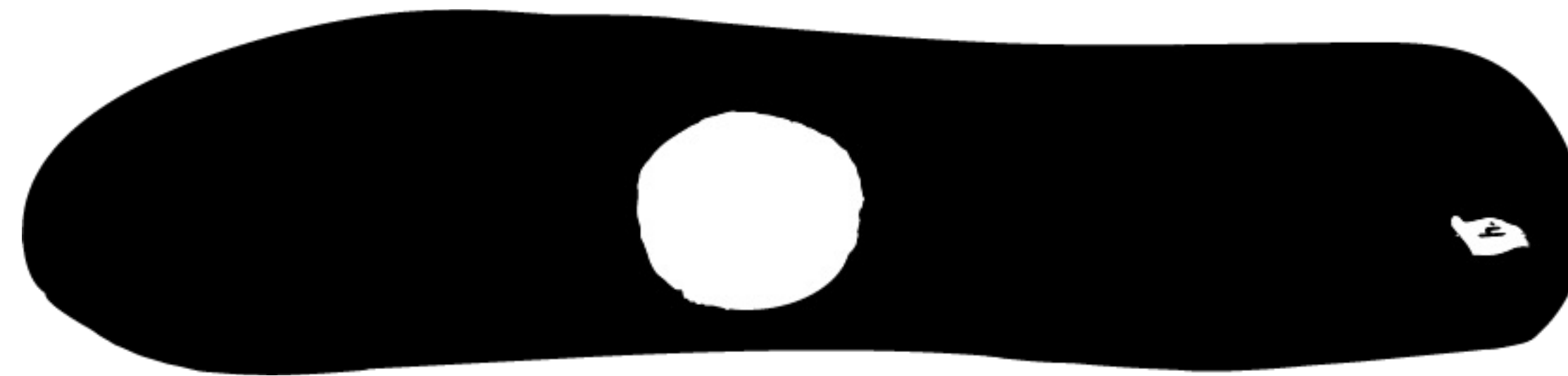
## Context

In a internet hyperconnected world, long-distance relationships of all kinds are very common today.

There's nothing harder than being apart from our love ones. If it were possible, sometimes, we would travel through screens to be on the other side, even if just for seconds.

Even if just for a **hug**.

**hugga.** is a pillow designed to send hugs across distances, allowing us to stay closely connected with our loved ones no matter how far apart we are.



**hugga.**



**hugga.**

Each Hugga has a **touch sensor** in the area where the user rests their head.





**TOUCH**

**A simple  
touch sends  
all the signals.**

**hugga.**

**TOUCH**

hugga A



cloud

hugga B

This process works vice versa and simultaneously through [thinger.io](https://thinger.io).

hugga.  
hugga.



①

## send vibration

When one of the *huggas* is activated, the other starts to vibrate gently.

The vibration comes from the center of the object and promotes a reduction in **stress** and **anxiety** for the user.

②

## send heat

When it receives signals, warmth is another magical aspect of *hugga*.

The heater functions at around 45°C, designed to soothe and **comfort** our stomach when it longs for **connection**.

hugga.  
hugga.







Dark mode

③

## **send light**

A warm, pulsing light turns on once *hugga* receives a signal from its match.

Even in the dark, our loved ones can feel us nearby.

**hugga.**



**hugga.**

thinger.io



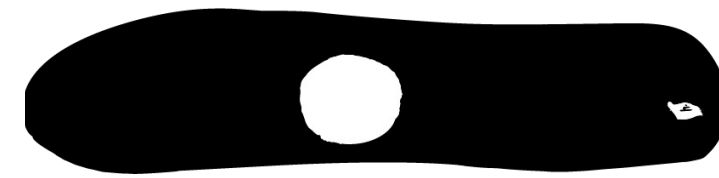
The user receives a **notification** at the same time as they receive a hug. This way, even if they don't have their Hugga nearby, they are still informed.

Say hi to **hugga**  
Telegram Bot

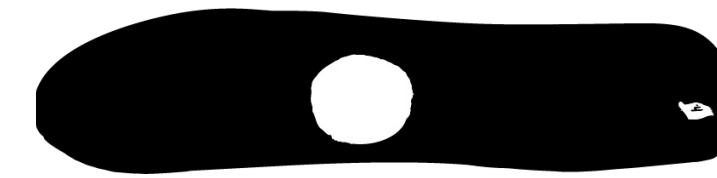


This process works vice versa and simultaneously.

When user hugs



**hugga A**



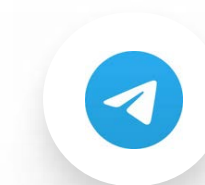
**hugga B**

Vibrates

Shines

Heats

Notifies



**TOUCH**

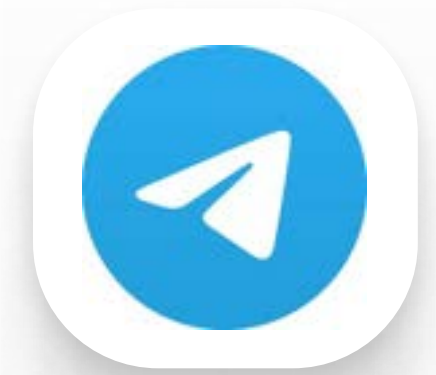
hugga A



This process works vice versa and simultaneously.



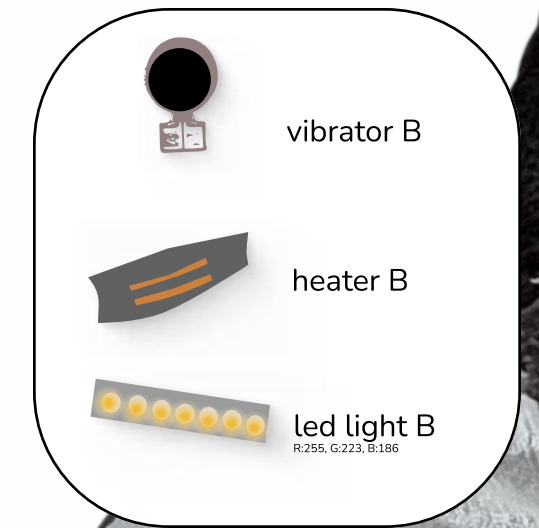
**thinger.io**



Telegram Bot

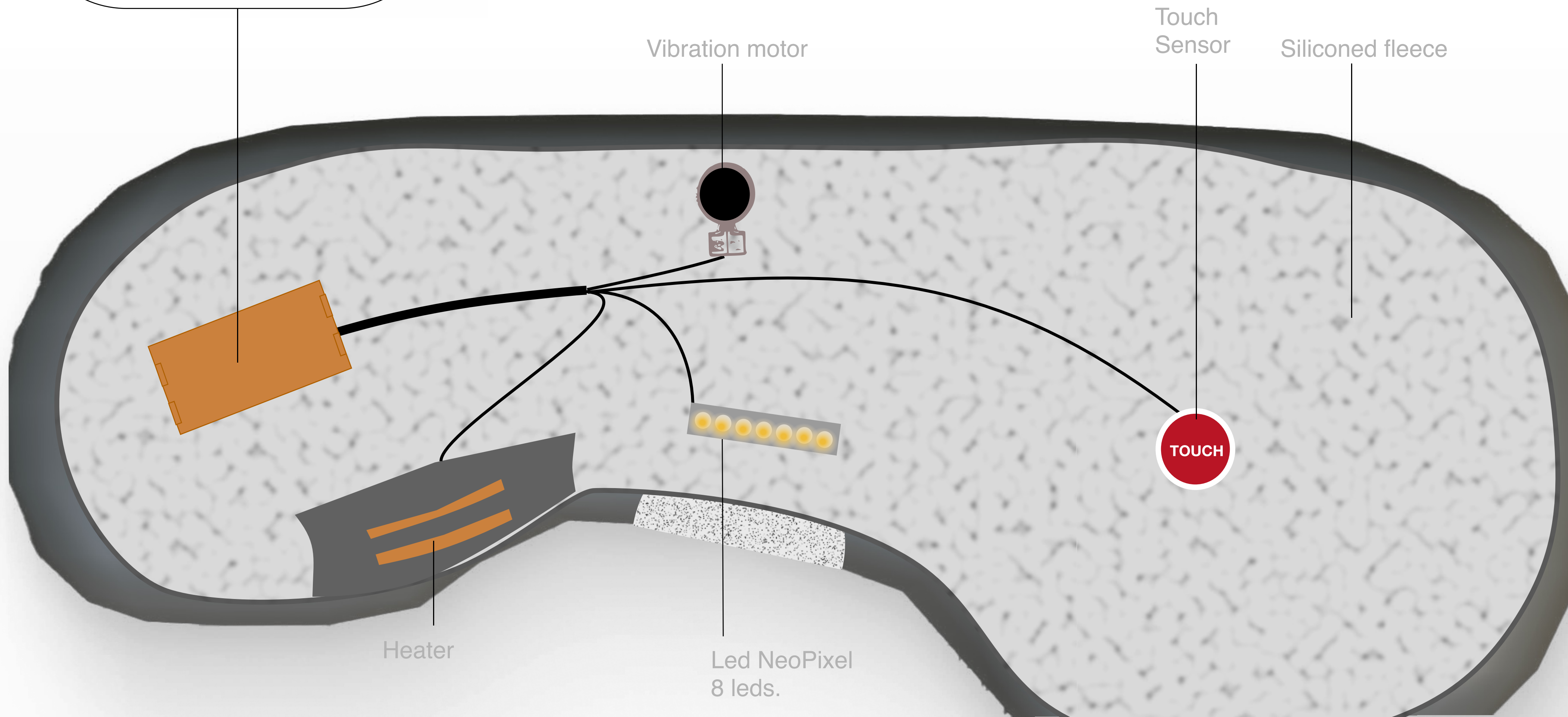
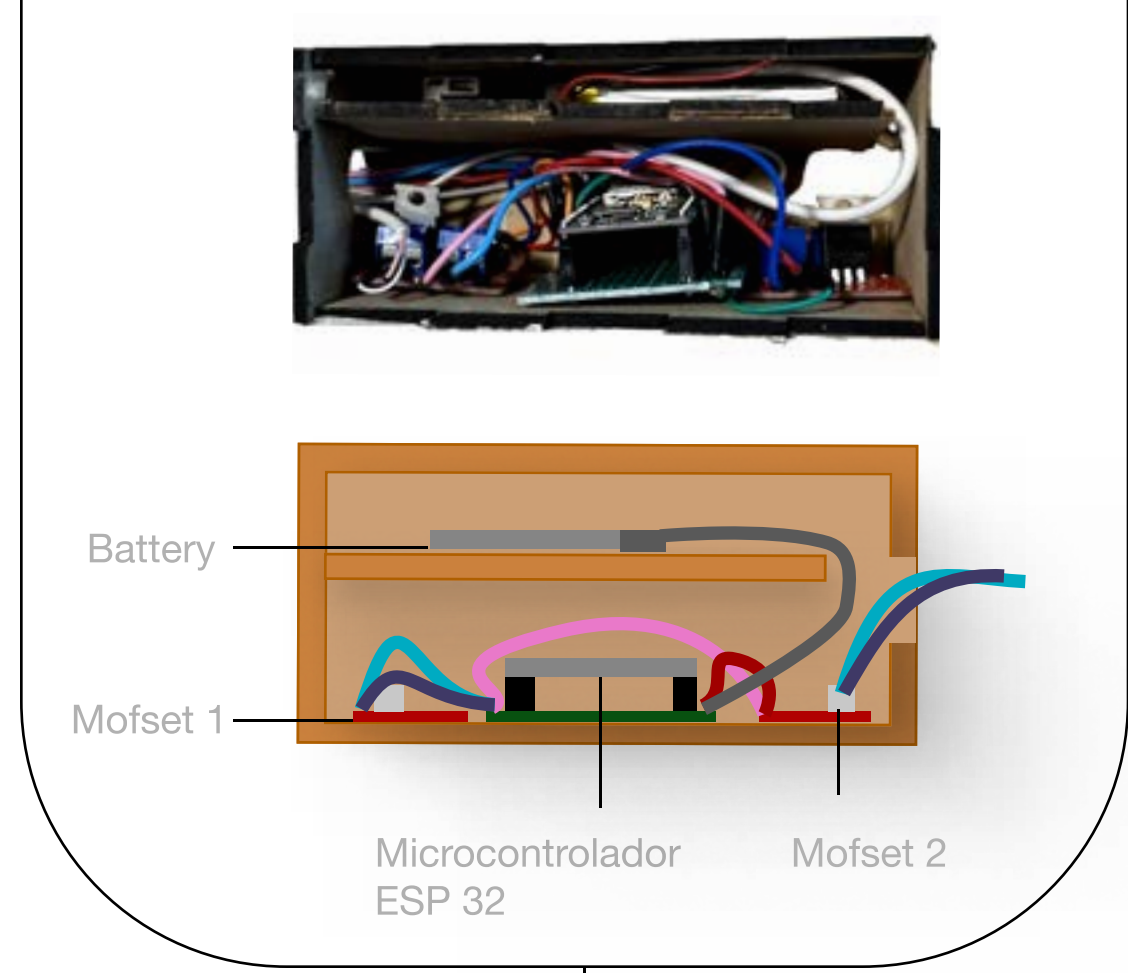
Hugga uses *device* to device connection and Telegram Endpoint.

hugga.  
hugga.



hugga B

inside  
hugga.

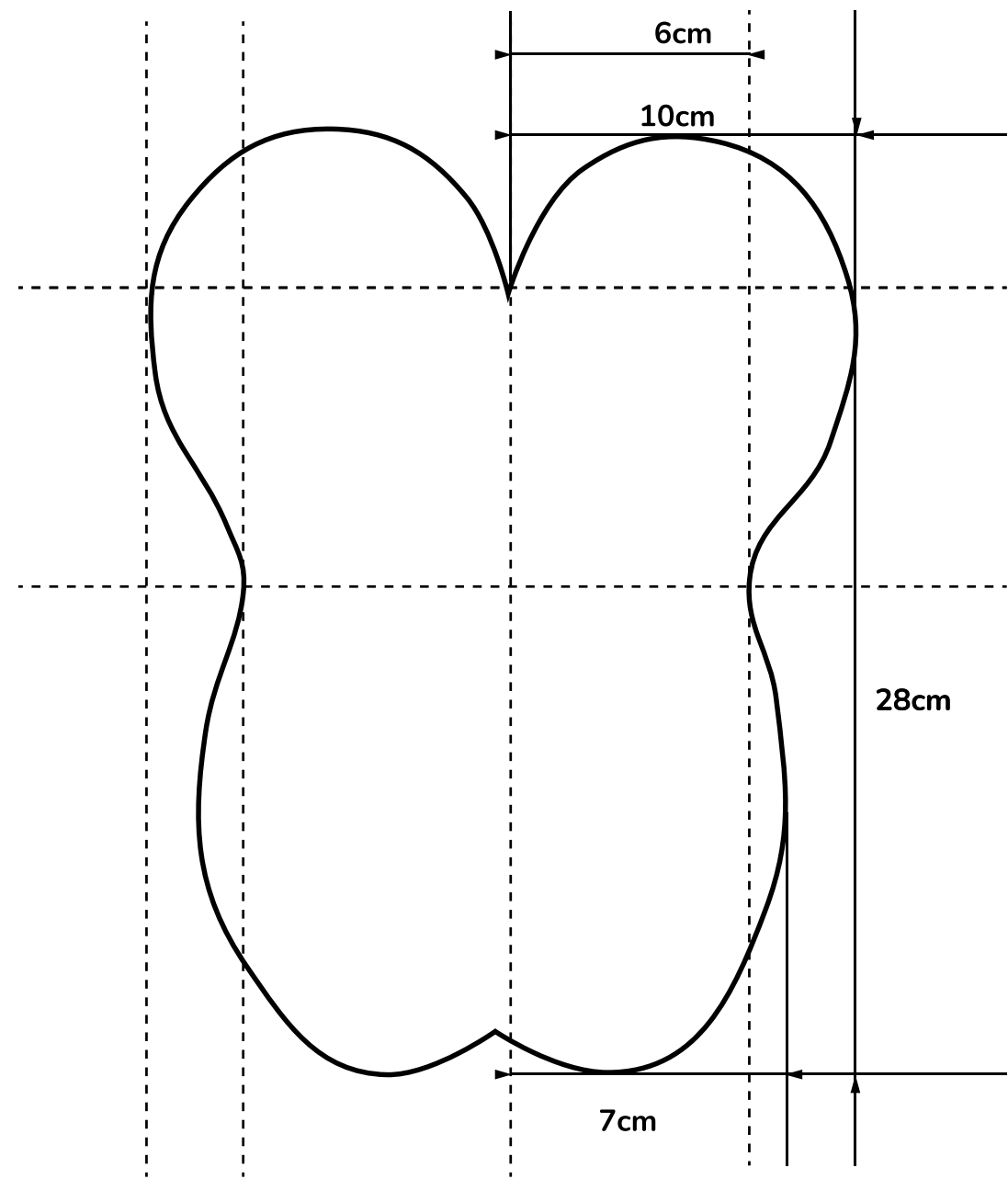


hugga.

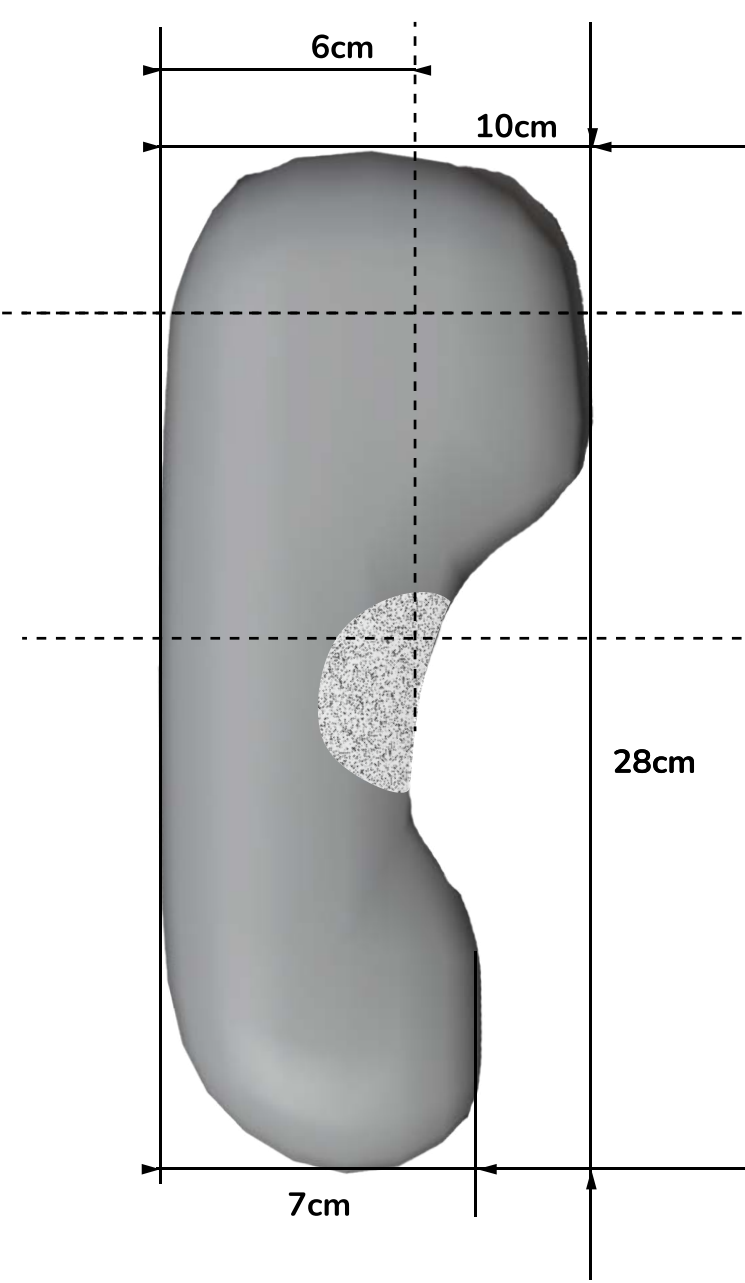


# measures

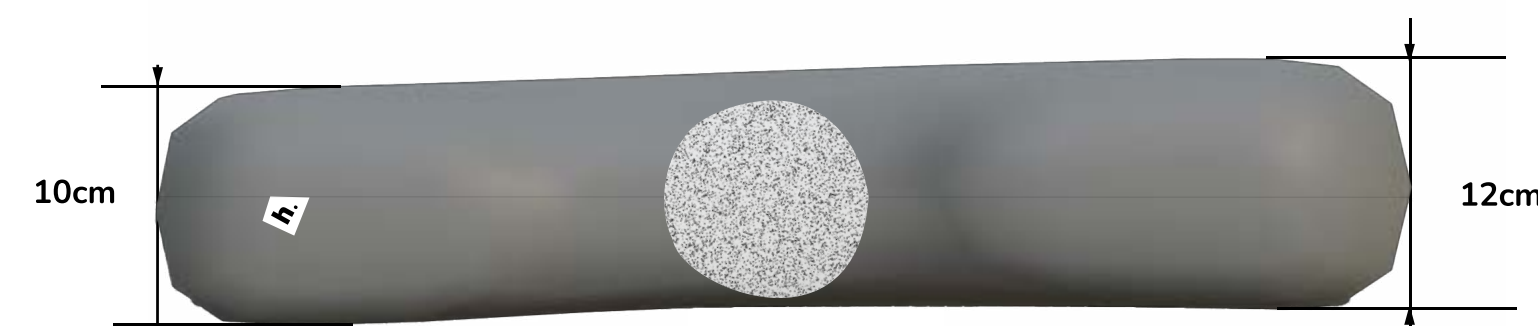
molde hugga



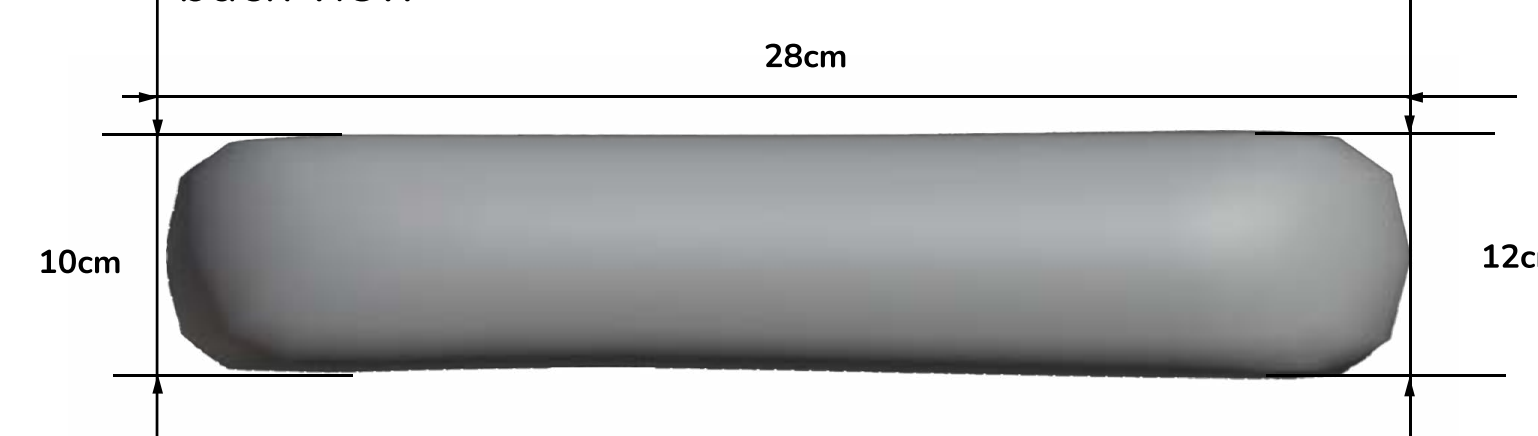
top view



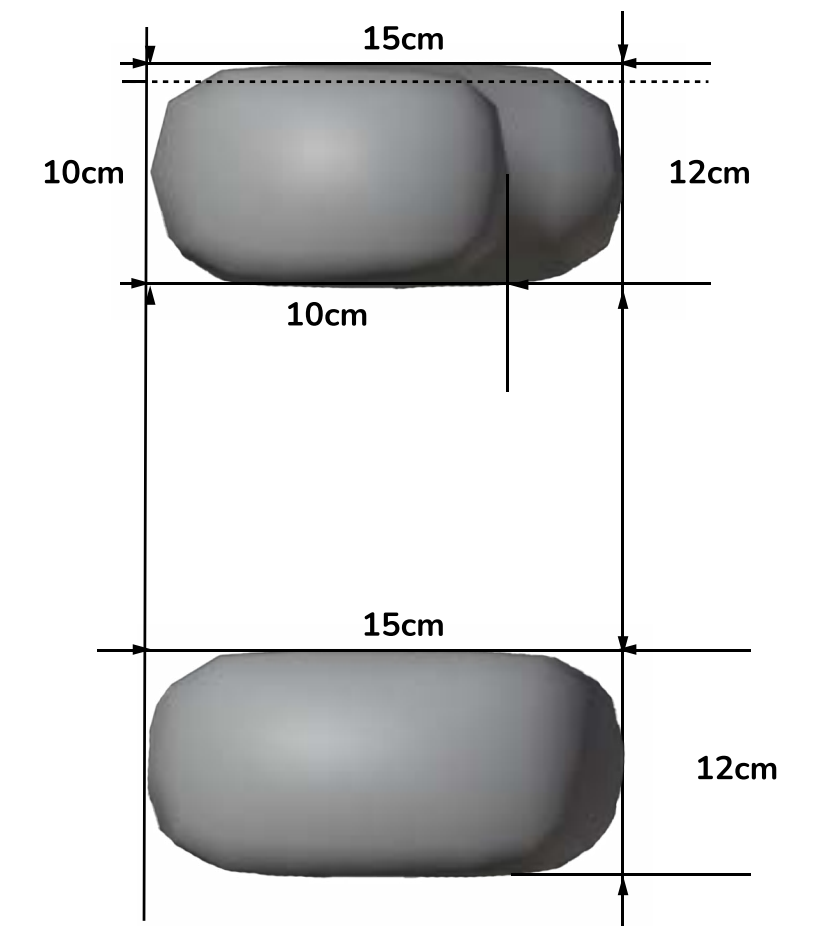
front view



back view



lateral views





**hugging  
distance has  
never been so  
easy**

**hugga.**



Connected Objects  
Design 1S2024

DISEÑO ●  
UdeSA



Lola Llamazares  
Manuela Losada

**hugga.**